

## Differential pressure gauge Model A2G-10

WIKA data sheet PM 07.40



### Applications

- For dry, clean, non-aggressive gases, usually air
- Fan and blower monitoring
- Differential pressure monitoring in filters
- Overpressure monitoring in cleanrooms
- For very low pressures

### Special features

- Zero adjustment in front
- Simple mounting and dismounting
- Two-part construction (measuring element and case)
- Optional version with additional electrical output signal (model A2G-15)



Differential pressure gauge model A2G-10

## Description

### Design

Per EN 837-3 and ventilation and air-conditioning (VAC) regulations

### Nominal size in mm

110

### Accuracy class

±3 %

(±5 % with scale range ≤ 0 ... 125 Pa)

### Scale ranges

0 ... 50 Pa to 0 ... 12,500 Pa

-25 ... +25 Pa to -1,500 ... +1,500 Pa

further plus/minus ranges on request

### Pressure limitation

Steady: Full scale value

Fluctuating: Full scale value

### Overpressure safety

20 kPa

### Max. working pressure (static pressure)

20 kPa

### Permissible temperature

Ambient: -30 ... +80 °C

Medium: -16 ... +50 °C

### Temperature effect

When the temperature of the measuring system deviates from the reference temperature (+20 °C):

max. ±0.5 %/10 K of full scale value

### Ingress protection

IP 54 per EN 60529 / IEC 529

## Standard version

### Process connection

Plastic,  
lower mount (LM) or back mount  
G 1/8 (female, in case) for hose connector  
Hose connection inner diameter 4 or 6 mm

### Standard accessories

- 3 mounting screws
- Straight or angled threaded pressure connection G 1/8 for inner diameter 4 or 6 mm

### Separating diaphragm

Silicone

### Movement

Contact-free transmission

### Dial

Aluminium, scale angle 90°

### Pointer and mark pointer

Plastic

### Case

Plastic,  
Basic case, case for panel/wall mounting and ring

### Window

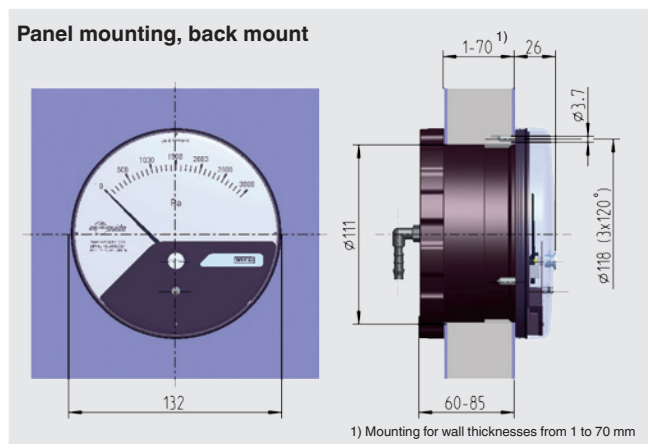
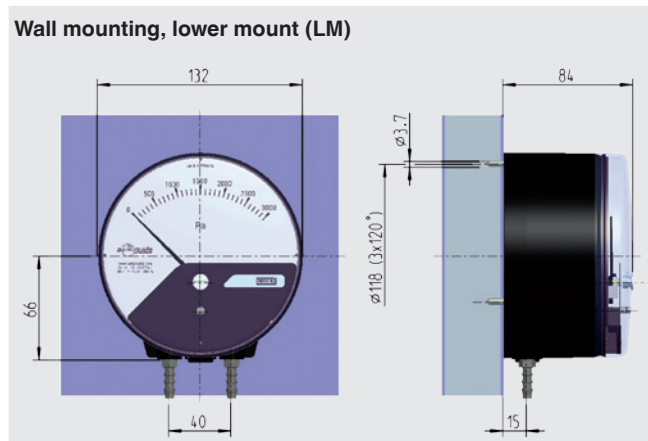
Makrolon (UV stabilised)

## Options

- Ingress protection IP 65
- Red mark pointer
- Internationally recognised traceable calibration certificate
- Measuring hose PVC or silicone, inner diameter 4 or 6 mm, length 25 m
- 2 duct connectors
- Output signal 4 ... 20 mA, 2-wire, power supply DC 14 V or output signal 0 ... 10 V, 3-wire, power supply DC 15 V (see data sheet PV 17.40)
- Without case

## Dimensions in mm

### Standard version



## Ordering information

Model / Connection location / Wall mounting or panel mounting / Inner diameter of the threaded pressure connection / Scale range / Options

© 2008 WIKA Alexander Wiegand SE & Co. KG, all rights reserved.  
The specifications given in this document represent the state of engineering at the time of publishing.  
We reserve the right to make modifications to the specifications and materials.



**WIKAL** Alexander Wiegand SE & Co. KG  
Alexander-Wiegand-Straße 30  
63911 Klingenberg/Germany  
Tel. (+49) 9372/132-0  
Fax (+49) 9372/132-406  
E-mail info@wika.de  
www.wika.de