

Differential pressure gauge With electrical output signal Model A2G-15

WIKA data sheet PV 17.40



Applications

- For dry, clean, non-aggressive gases, usually air
- Fan and blower monitoring
- Differential pressure monitoring in filters
- Overpressure monitoring in cleanrooms
- For very low pressures

Special features

- Zero adjustment in front
- Simple mounting and dismounting
- Two-part construction (measuring element and case)
- With additional electrical output signal



Differential pressure gauge model A2G-15

Description

Design

Per EN 837-3 and ventilation and air-conditioning (VAC) regulations

Nominal size in mm

110

Accuracy class

±3 %

(±5 % with scale range ≤ 0 ... 125 Pa)

Scale ranges

0 ... 50 Pa to 0 ... 12,500 Pa

-25 ... +25 Pa to -1,500 ... +1,500 Pa

further plus/minus ranges on request

Pressure limitation

Steady: Full scale value

Fluctuating: Full scale value

Overpressure safety

20 kPa

Max. working pressure (static pressure)

20 kPa

Permissible temperature

Ambient: -30 ... +80 °C

Medium: -16 ... +50 °C

Temperature effect

When the temperature of the measuring system deviates from the reference temperature (+20 °C):

max. ±0.5 %/10 K of full scale value

Ingress protection

IP 54 per EN 60529 / IEC 529

Standard version

Process connection

Plastic, lower mount (LM) or back mount (BM),
G 1/8 (female, in case) for hose connector
Hose connection inner diameter 4 or 6 mm

Standard accessories

- 3 mounting screws
- Straight or angled threaded pressure connection G 1/8 for inner diameter 4 or 6 mm
- Compression fitting M12, plastic

Separating diaphragm

Silicone

Movement

Contact-free transmission

Dial

Aluminium, scale angle 90°

Pointer and mark pointer

Plastic

Case

Plastic,
Basic case, case for panel/wall mounting and ring

Window

Makrolon

Electronics

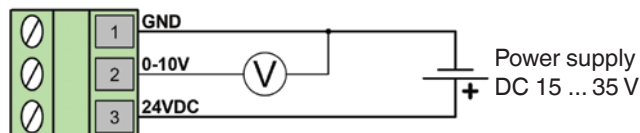
Output signal

0 ... 10 V, 3-wire

Power supply U_B

DC 15 ... 35 V

Terminal configuration



Permissible max. load

$R_A > 10 \text{ k}\Omega$

Insulation voltage

DC 500 V

Wiring protection

Overvoltage protection: max. DC 35 V
Short-circuit resistance: Sig + to U_B -
Reverse voltage protection: U_B + to U_B -

CE conformity

Pressure equipment directive: 97/23/EC
EMC directive: EN 61000-6-4 und EN 61000-6-2

Relative humidity

45 ... 90 % rH, non-condensing

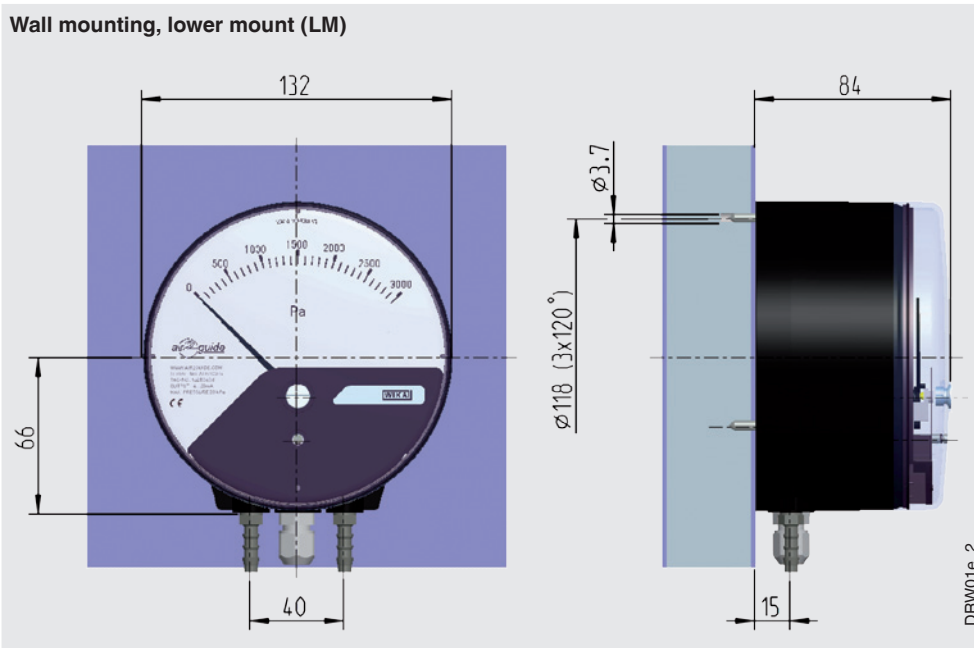
Options

- Ingress protection IP 65
- Red mark pointer
- Internationally recognised traceable calibration certificate
- Measuring hose PVC or silicone, inner diameter 4 or 6 mm, length 25 m
- Without case

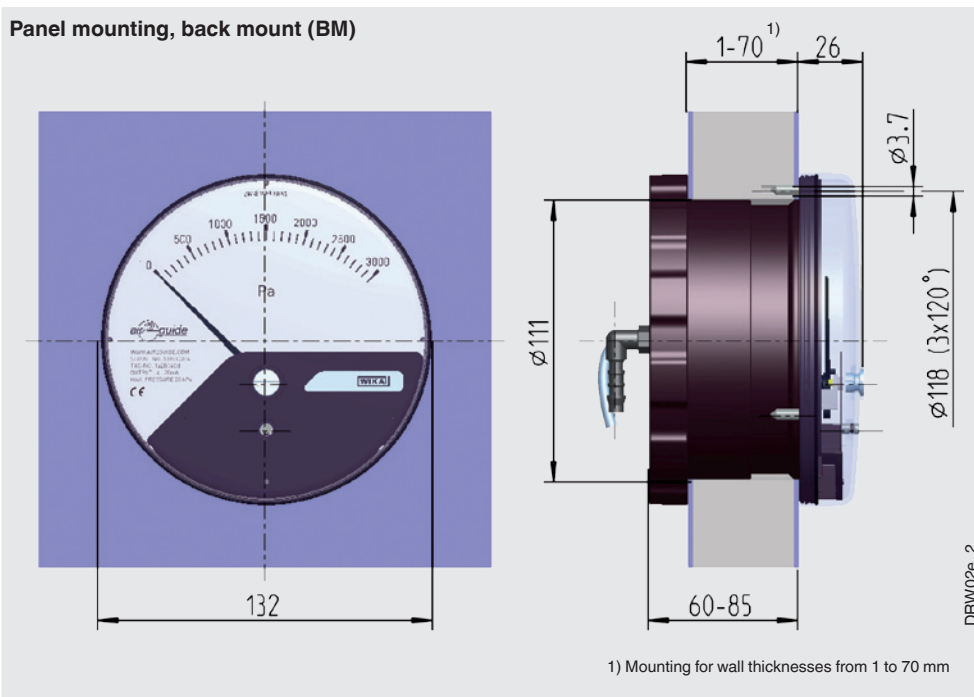
Dimensions in mm

Standard version

Wall mounting, lower mount (LM)



Panel mounting, back mount (BM)



1) Mounting for wall thicknesses from 1 to 70 mm

Ordering information

Model / Connection location / Wall mounting or panel mounting / Inner diameter of the threaded pressure connection / Scale range / Options

© 2008 WIKA Alexander Wiegand SE & Co. KG, all rights reserved.
The specifications given in this document represent the state of engineering at the time of publishing.
We reserve the right to make modifications to the specifications and materials.

