

Bourdon tube pressure gauge Stainless steel, high pressure, safety version Models 222.30, 223.30

WIKA data sheet PM 02.09



Applications

- Increased safety requirements
- With liquid-filled case for applications with high dynamic pressure loads or vibrations ¹⁾
- For gaseous and liquid aggressive media that are not highly viscous or crystallising, also in aggressive ambience
- Process industry: Chemical, petrochemical, power plants, mining, on- and offshore, environmental technology, machine building and general plant construction

Special features

- Safety pressure gauge with solid baffle wall designed in compliance with operational safety requirements of EN 837-1
- Excellent load-cycle stability and shock resistance
- All stainless steel construction, socket, pressure element and end piece of Bourdon tube welded
- Scale ranges 0 ... 2,500 to 0 ... 7,000 bar



Bourdon tube pressure gauge model 222.30

Description

Nominal size in mm

160

Accuracy class

1.0

Scale ranges

0 ... 2,500 to 0 ... 7,000 bar

Pressure limitation

Steady: Full scale value

Fluctuating: 2/3 x full scale value

Permissible temperature

Ambient: -40 ... +60 °C without liquid filling

-20 ... +60 °C with glycerine filling ¹⁾

Medium: +200 °C maximum without liquid filling

+100 °C maximum with liquid filling ¹⁾

Temperature effect

When the temperature of the measuring system deviates from the reference temperature (+20 °C):

Max. ±0.4 %/10 K of full scale value

Ingress protection

IP 65 per EN 60529 / IEC 529

¹⁾ Model 223.30

Standard version

Process connection

Stainless steel, lower mount (LM)

Optionally (specify when ordering):

- Female thread 9/16 - 18 UNF with 60° sealing cone per Autoclave Engineers
- Female thread M16 x 1.5 to fit lens seal with 60° sealing cone
- Female thread 5/8 - 18 UNF to fit lens seal with 60° sealing cone

Pressure element

NiFe-alloy

Movement

Stainless steel

Dial

Aluminium, white, black lettering

Pointer

Aluminium, black

Case

Stainless steel, with solid baffle wall (Solidfront) and blow-out back

Window

Laminated safety glass

Bezel ring

Cam ring (bayonet type), stainless steel

Filling liquid (for model 223.30)

Glycerine 99.7 %

Mounting

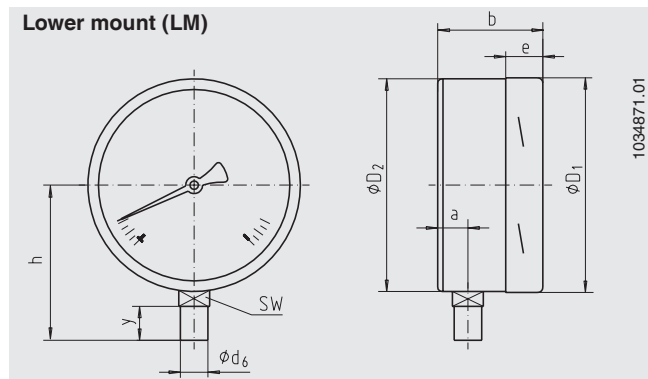
Mounting by means of a rigid measuring line or a mounting bracket, extension 60 mm, for wall mounting (included in delivery)

Options

- Higher indication accuracy, class 0.25 and 0.6 (model 322.30)
- Panel mounting flange, stainless steel
- Process connection G 3/4 B (male) per ISO 228/1
- Switch contacts (data sheet AC 08.01)

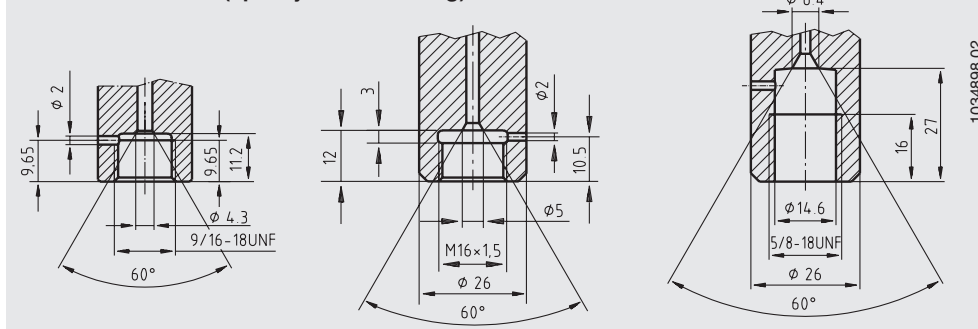
Dimensions in mm

Standard version



NS	Dimensions in mm									Weight in kg
	a	b	D ₁	D ₂	d ₆	e	h ±2	y	SW	
160	26.5	71	161	159	26	26	125	30	27	2.0 ¹⁾

Process connection (specify when ordering)



1) For gauges with liquid filling 3.20 kg

Ordering information

Model / Nominal size / Scale range / Connection size / Options

© 2006 WIKA Alexander Wiegand SE & Co. KG, all rights reserved.

The specifications given in this document represent the state of engineering at the time of publishing. We reserve the right to make modifications to the specifications and materials.

