

## Capsule pressure gauge Model 611.10, standard version Model 631.10, stainless steel version

WIKA data sheet PM 06.01



### Applications

- Pressure gauge for use in a protected environment
- Medical, vacuum, environmental, laboratory technology, for contents measurement and filter monitoring
- For gaseous, dry and non-aggressive media
- Model 631.10 also for aggressive media

### Special features

- Zero adjustment in front
- Special connection location on request
- Low scale ranges from 0 ... 25 mbar



Capsule pressure gauge, model 611.10

## Description

### Design

EN 837-3

### Nominal size in mm

50, 63

### Accuracy class

1.6

### Scale ranges

NS 50: 0 ... 60 mbar to 0 ... 600 mbar

NS 63: 0 ... 25 mbar to 0 ... 600 mbar

or all other equivalent vacuum or combined pressure and vacuum ranges

### Pressure limitation

Steady: Full scale value

Fluctuating: 0.9 x full scale value

### Permissible temperature

Ambient: -20 ... +60 °C

Medium: +100 °C maximum

### Temperature effect

When the temperature of the measuring system deviates from the reference temperature (+20 °C):  
max.  $\pm 0.6$  %/10 K of full scale value

### Ingress protection

IP 32 per EN 60529 / IEC 529

## Standard version

### Process connection

Model 611.10: Copper alloy

Model 631.10: Stainless steel

Lower mount (LM) or back mount (BM)

(NS 50: Only back mount)

G ¼ B (male), 14 mm flats

### Pressure element

Model 611.10: Copper alloy

Model 631.10: Stainless steel

### Sealing

NBR

### Movement

Copper alloy

### Zero adjustment

At the front

### Dial

Aluminium, white, black lettering

### Pointer

Aluminium, black

### Case

Steel, black

### Window

Clear non-splintering plastic, domed, snap-fitted in case

## Options (NS 63)

- Other process connection
- Sealings (model 910.17, see data sheet AC 09.08)
- Stainless steel case
- Overpressure and vacuum safety with  
scale ranges < 40 mbar: 3 x full scale value  
scale ranges ≥ 40 mbar: 10 x full scale value
- Slip-on bezel <sup>1)</sup>
- Panel or surface mounting flange <sup>1)</sup>
- Triangular bezel with clamp <sup>1)</sup>

1) also for NS 50

## Approvals

- **GOST**, metrology/measurement technology, Russia
- **GOST-R**, import certificate, Russia

## Certificates <sup>1)</sup>

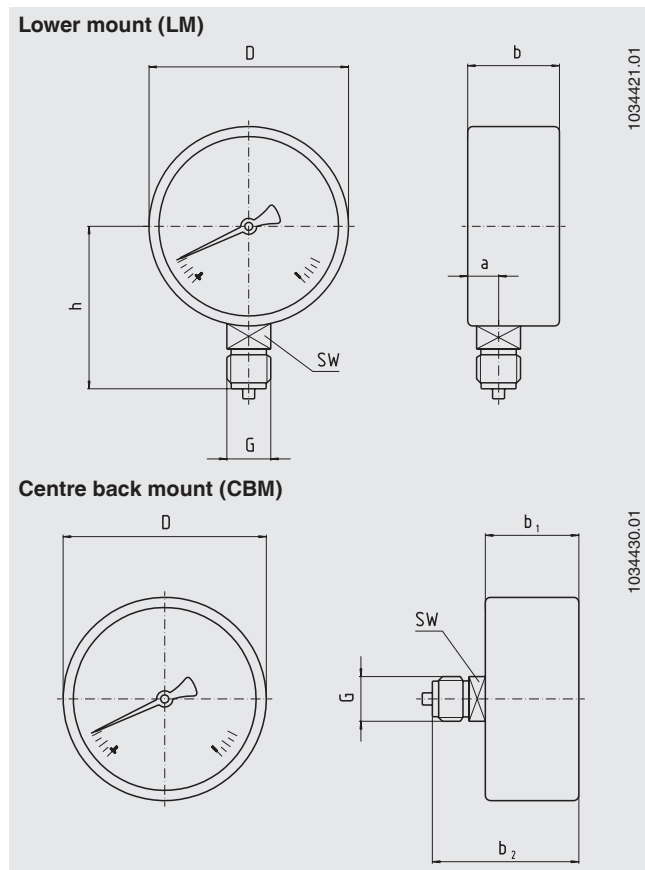
- 2.2 test report per EN 10204 (e.g. state-of-the-art manufacturing, material proof, indication accuracy)
- 3.1 inspection certificate per EN 10204 (e.g. material proof for wetted metallic parts, indication accuracy)

1) Option

Approvals and certificates, see website

# Dimensions in mm

## Standard version



1034421.01

1034430.01

NS	Dimensions in mm					G	h ±1	SW	Weight in kg
	a	b	b <sub>1</sub>	b <sub>2</sub>	D				
50	-	-	28	47	50	G ¼ B	-	14	0.09
63	9.5	40	36.5	54.5	63	G ¼ B	51	14	0.20

Process connection per EN 837-3 / 7.3

## Ordering information

Model / Nominal size / Scale range / Connection size / Connection location / Options

© 2003 WIKA Alexander Wiegand SE & Co. KG, all rights reserved.  
 The specifications given in this document represent the state of engineering at the time of publishing.  
 We reserve the right to make modifications to the specifications and materials.

